



7.5

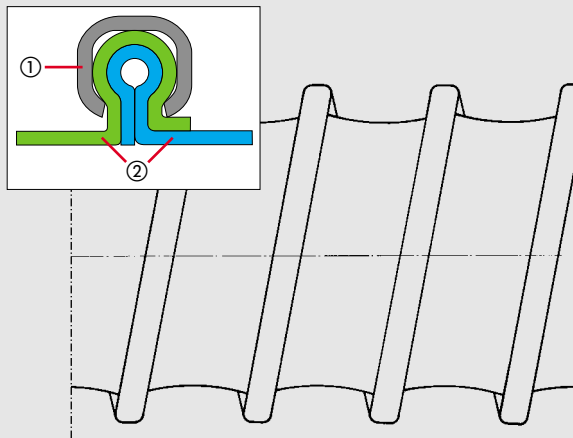
VITON

ies

temperature resistance
 chemical resistance
 ozone-resistant
 flexible
 compressibility 1:6
 bend radius
 proof
 stand
 inner hose wall
 steel helix protects
 abrasion
 clamping method
 sees high tensile
 between hose
 and external helix

Construction

- ① external helix
- ② hose wall: Viton-coated polyester fabric



Temperature Range

- -15°F up to +410°F
- intermittent to +465°F

Chem. Resistance

see resistance table
 register no. 15

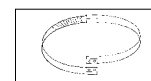
Technical Data, custom designs and forms of delivery see back page

(mm)	(inches)	(mm)	(inches)	(mm)	(inches)
1.52	378	192	0.92	0.2684	222-03
1.60	374	188	0.96	0.2684	222-04
1.80	370	176	1.08	0.2684	222-04
2.00	362	160	1.20	0.2684	222-05
2.20	342	132	1.32	0.2684	222-05
2.40	313	111	1.44	0.3355	222-06
2.60	273	95	1.56	0.3355	222-06
2.80	269	82	1.68	0.3355	222-07
3.00	249	71	1.80	0.4026	222-07
3.20	245	62	1.92	0.4026	222-08
3.60	225	49	2.16	0.4026	222-09
4.00	205	40	2.40	0.4026	222-10
4.40	193	33	2.64	0.4697	222-11
4.80	145	28	2.88	0.4697	222-12
5.00	133	26	3.00	0.5368	222-12
5.20	113	24	3.12	0.5368	222-13
5.60	100	20	3.36	0.5368	222-14
6.00	88	18	3.60	0.6039	222-15
6.40	84	16	3.84	0.6039	222-16
6.80	76	14	4.08	0.6039	222-17
7.00	74	13	4.20	0.6710	222-17
7.20	69	12	4.32	0.6710	222-18
8.00	59	10	4.80	0.8052	222-20
8.60	51	9	6.04	0.8723	222-21
9.00	46	8	6.32	0.9394	222-22
10.00	40	6	7.00	1.0736	222-25
11.00	32	5	7.72	1.2749	222-27
12.00	28	4	8.40	1.4091	222-30
12.60	25	4	8.84	1.4091	222-31
13.00	24	4	9.12	1.4762	222-32
14.00	23	3	9.80	1.6775	222-35
15.00	20	3	10.52	1.9459	222-37
16.00	19	3	11.20	2.0801	222-40
18.00	18	2	14.40	2.4156	222-45
20.00	17	2	16.00	2.7511	222-50
22.00	17	1	17.60	3.0866	222-55
24.00	16	1	19.20	3.4221	222-60
28.00	12	1	22.40	4.0260	222-70
32.00	9	1	25.60	4.6299	222-80
36.00	6	1	28.80	5.2338	222-90

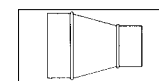
* Referring to the inner side of the elbow of hose.

The above mentioned data refers to an average and ambient temperature of 68°F. Subject to technical changes and color variations. Please refer to technical data sheet when selecting hose.

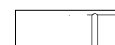
Installation and connection possibilities (see section no. 11 and 12):



CLIP-GRIP special hose clamp for MASTER-CLIP hoses



hose reducer, symmetrical



hose connector



11.1

1.52" thru 36"	1.52" thru 36"	530-038-100 thru 530-900-100
----------------------	----------------------	------------------------------------

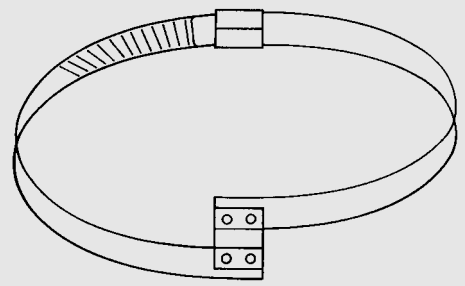
Note:

CLIP-GRIP worm drive hose clamps are only suitable for securing MASTER-CLIP hoses. We recommend our standard worm drive hose clamps or heavy duty bolted clamps for securing other spiral hoses.

ies
stant
install
length

Construction

- hose clamp with one or more worm drive(s)
- with a hexagon head screw
- with one or more spot-welded bridges



Technical Data, custom designs and forms of delivery see back page

ultants, Inc.

ny Avenue
9, USA



11.3

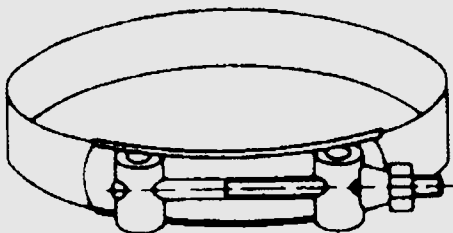
1.25" thru 20"	.80" x .03" thru 1.00" x .04"	621-032-115 thru 621-500-115
----------------------	-------------------------------------	------------------------------------

Note:

Heavy duty bolted clamps are suitable for the mounting of medium and heavy weight spiral hose types. For the mounting of lightweight hose qualities we recommend worm drive hose clamps.

Construction

Large strip hose clamp with fastening lug



Technical Data, custom designs and forms of delivery see back page

ies

stant
length
width .70" - 1.0"
thickness .023" - .063"



11.4

1" thru 20"	620-025-100 thru 620-500-100
-------------------	------------------------------------

Note:

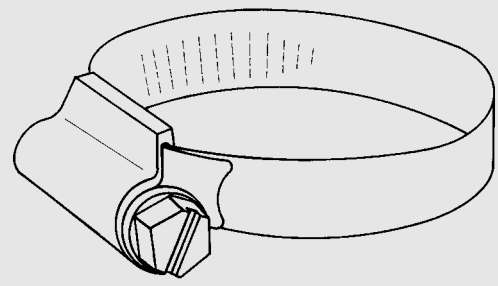
Worm drive hose clamps are suitable for the mounting of lightweight spiral hose types. For the mounting of heavy weight hose qualities we recommend the heavy duty bolted clamps.

GEAR

ties
istant
rength

Construction

one-piece hose band clamps with a hexagon head screw, recessed



Technical Data, custom designs and forms of delivery see back page

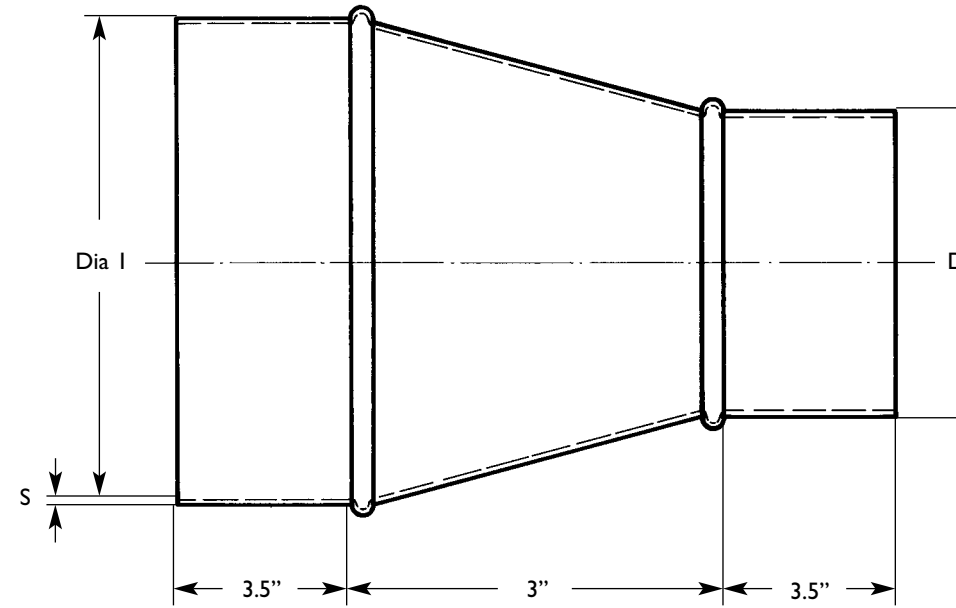
ultants, Inc.

vy Avenue
09, USA



11.5

3" thru 12"	2" thru 10"	24	3.5"	3"	632-08 thr 632-30
-------------------	-------------------	----	------	----	-------------------------



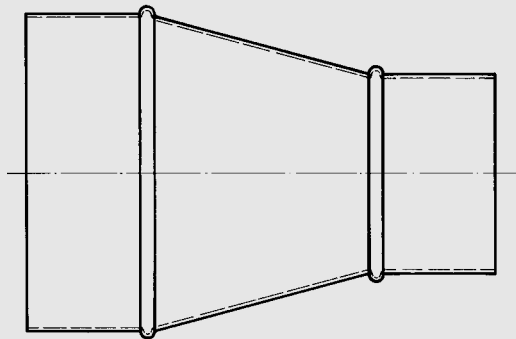
ER

ies

install
ght
t to corrosion

Construction

reducer of rolled sheet steel with beadings on both ends



Technical Data, custom designs and forms of delivery see back page

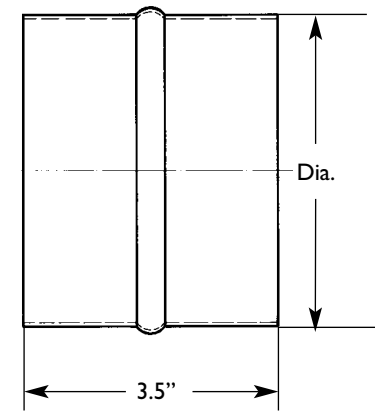
ultants, Inc.

ry Avenue
o, USA



11.6

2" thru 36"	24	3.5" (in.)	630-050- thru 630-900-
-------------------	----	---------------	------------------------------

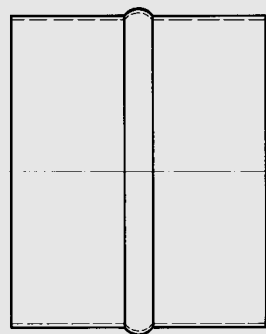


CTOR

ies
install
ght
t to corrosion

Construction

rolled sheet steel with beandings



Technical Data, custom designs and forms of delivery see back page

ultants, Inc.

vy Avenue
9, USA