

Hose Reels

PlymoVent Hose Reels make a clean appearance.

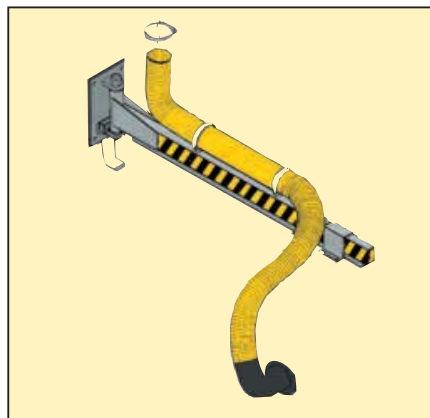
When you are looking for quality and appearance in your shop, PlymoVent has the right Hose Reel for you. PlymoVent Hose Reels are the industry standard. Regardless of your service demands our three styles of exhaust reels can fit your application and budget.



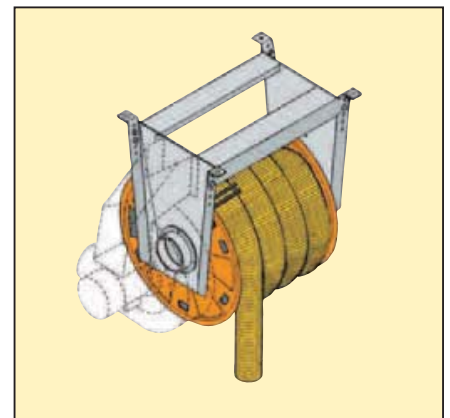
Electrical Controls



Exhaust Boom Arm



Exhaust Reel Fan Kit



PlymoVent reserves the right to make design and technical changes.

Spring Exhaust Reel Model – SER



SER exhaust reels are designed to retract the exhaust hose with the assistance of a spring operated retraction device. When the service technician wants to use the exhaust hose, he will pull down on the hose and attach the nozzle to the vehicle. The hose will lock into place. When finished, he will remove the nozzle from the vehicle and pull down again on the hose which will allow the hose to be smoothly returned to the hose reel.

We recommend the SER hose reel in general service shop applications when the technician can easily reach the exhaust hose, or direct mounting to a floor lift is desired



Motorized Hose Reel Model – MHR



The model MHR hose reel is designed to retract the exhaust hose with the assistance of an electric motor drive. When the service technician wants to use the exhaust hose, he will press an up/down switch mounted on the wall or a key set mounted to the exhaust reel. The motor has an adjustable up/down limit switch to stop the hose at any level you desire. When the exhaust hose is not in use, you can retract the hose to the ceiling.

We recommend the MHR exhaust hose reels in service areas with low ceilings, where hoses must be out of the way from moving vehicles or where overhead cranes may travel the length of the service area.



Motorized Exhaust Reel Model – MER



The MER exhaust reel is designed to retract the exhaust hose with the assistance of an electrical high-torque gear motor. The MER exhaust hose reel operates the same as the popular MHR, but the power of the MER exhaust hose reel allows you to use heavy hose and nozzle combinations or operate in high production areas most commonly found in truck, bus, and off-road vehicle manufacturing.

We recommend the MER exhaust hose reel when you have a facility with high ceilings which may require 12 m/40 ft of hose and where the hose/nozzle weight is over 23 kg/50 lbs.
Example: 12 m/40 ft of ET-150 hose and MEN-150-200 nozzle combination.

