

Bottom Bag removal  
collectors with side  
bag access

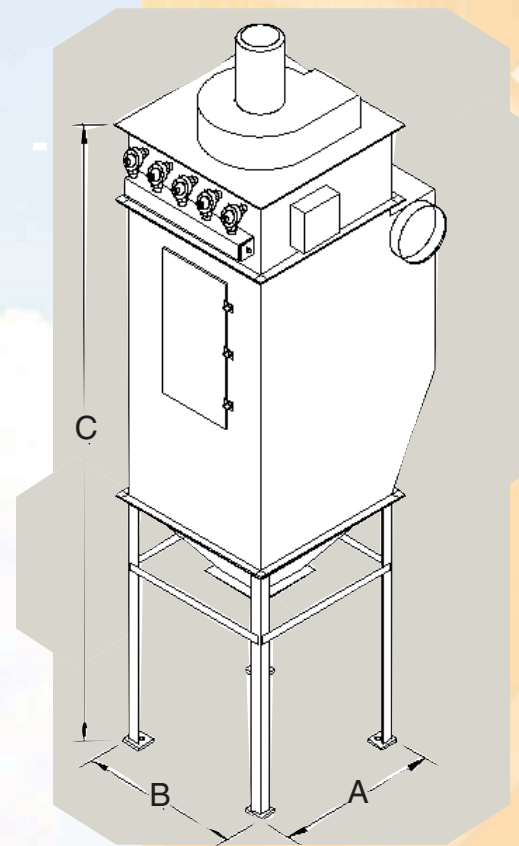
# SPJ-BL SERIES

The SPJ-BL Series Dust Collector is an economical baghouse collector designed for lower CFM flow amounts with all the quality design features you come to expect from SDC. The unit is fully welded, includes SDC's patented cleaning system, and has a generous access door. The cleaning system and large dropout section provide reliable and efficient collectors that require fewer bags and prolonged bag life. All SPJ-BL collectors are on-line, self cleaning units with a solid state timer board for the cleaning system. Ideal for flows up to 5,000 CFM.

## STANDARD FEATURES

- 12 gauge hot rolled steel housing, reinforced to withstand  $\pm 14$  IWC
- Patented cleaning system with solid state timer pre-wired in NEMA 4 enclosure
- 55° hopper with square discharge, flanged and pre-drilled for auxiliary equipment
- Compressed air manifold mounted with pipe couplings on both ends for easy connection of air supply
- Hopper discharge clearance of 42", sized for a dust cart (style C) or a slide gate and 55 gallon drum adapter (style D)
- Inlet collar and pre-drilled flanged outlet
- One full set of filter bags and wire cages with mounting hardware
- Zinc oxide primer on the interior and exterior, and an exterior finish of industrial enamel
- One differential pressure gauge with dust trap and connecting hardware

Model	Style	A	B	C
SPJ-16-4BL4	D	48"	37"	122"
SPJ-16-4BL6	D	50"	37"	146"
SPJ-20-4BL4	C	55"	37"	123"
SPJ-20-4BL4	D	55"	37"	126"
SPJ-20-4BL6	C	57"	37"	147"
SPJ-20-4BL6	D	57"	37"	150"
SPJ-25-4BL4	C	57"	44"	123"
SPJ-25-4BL4	D	57"	44"	126"
SPJ-25-4BL6	C	59"	44"	147"
SPJ-25-4BL6	D	59"	44"	150"
SPJ-36-4BL4	C	66"	51"	128"
SPJ-36-4BL4	D	66"	51"	131"
SPJ-36-4BL6	C	68"	51"	152"
SPJ-36-4BL6	D	68"	51"	155"



Pacific Air Consultants, Inc.

P.O. Box 426 - 33100 NE Ivy Avenue  
La Center, Washington 98629 USA  
Ph. (800) 252-3993 - Fax (360) 263-9772  
web- PacAir.net - Email- Sales@PacAir.net



## SCIENTIFIC DUST COLLECTORS

4101 W. 126th Street + Alsip, IL 60803 USA  
ph 708.597.7090 + fx 708.597.0313

www.scientificdustcollectors.com  
A Venturedyne Ltd. Company

BUL #709  
07/09